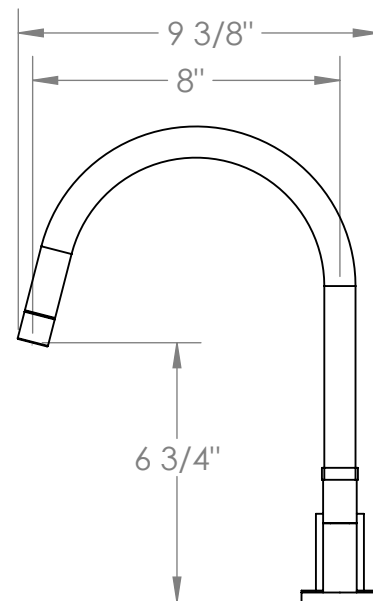
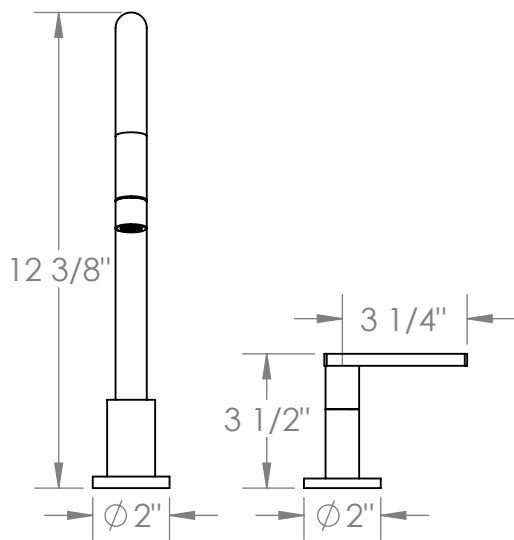


### 70-7.1.3G-RNS4

Deck Mounted 2 Hole Kitchen Set with Gooseneck Spout  
Flow Rate: 1.75 GPM



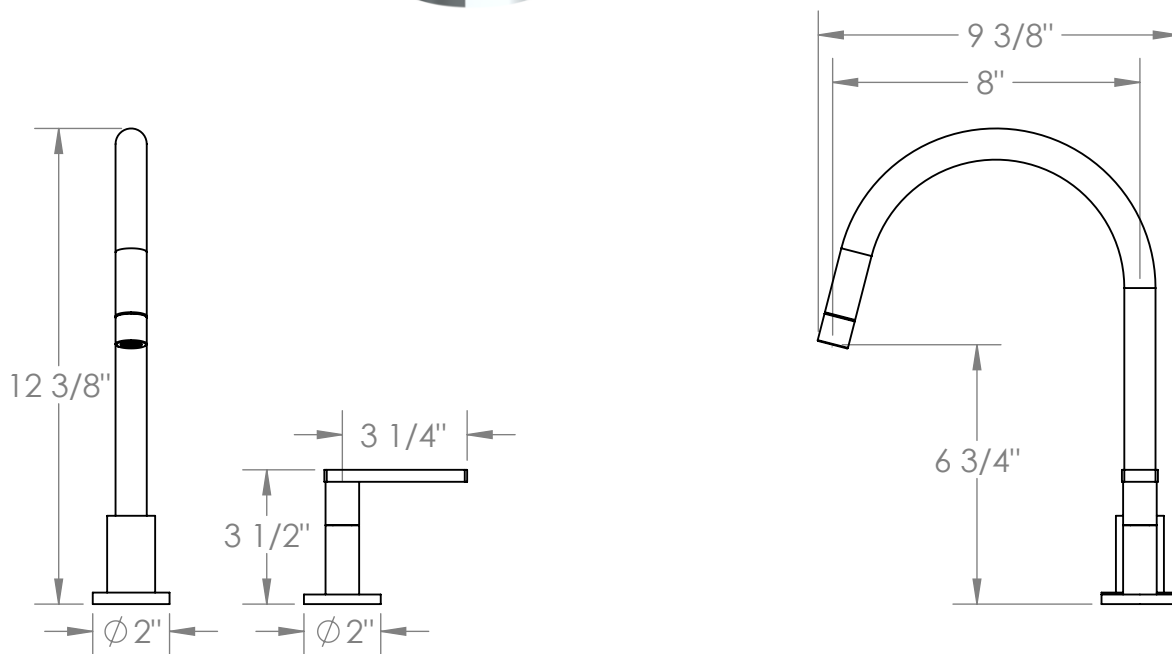
Meets the applicable requirements of ASME A112.18.1-2005/CSA B125.1-05, entitled "Plumbing Supply Fittings"

**WATERMARK** DESIGNS 8/28/2019

350 Dewitt Ave Brooklyn NY 11207 USA T 718 257 2800 F 718 257 2144 info@watermark-designs.com

### 70-7.1.3G-RNK8

Deck Mounted 2 Hole Kitchen Set with Gooseneck Spout  
Flow Rate: 1.75 GPM



Meets the applicable requirements of ASME A112.18.1-2005/CSA B125.1-05, entitled "Plumbing Supply Fittings"